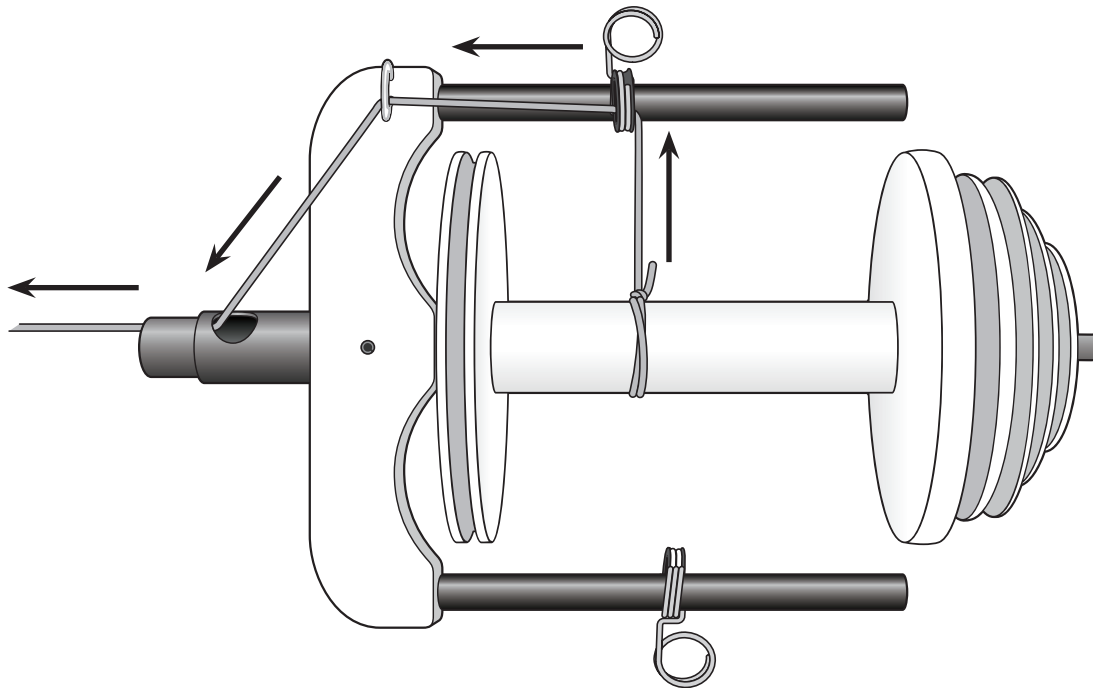


SLIDING HOOK FLYER

- Double Drive -

For Traditional and Traveller double drive and Elizabeth spinning wheels



FEATURES

- Flyer comes with one Double drive bobbin.
- Fill your bobbins evenly with the squeeze and slide stainless steel yarn guides.
- Fibreglass arms result in a light and strong flyer.
- The 3 speed pulley allows a wide range of yarns to be spun.

Ratios

Elizabeth	8.0	10.5	14.0:1
Traditional	7.5	9.5	13.0:1
Traveller	6.0	8.0	10.5:1

Wood finish

We recommend the wood be sealed with a wax or oil finish before use to protect and enhance it's natural beauty. Ashford finishing wax polish is ideal for this purpose.

1. Thread the 2 hooks into the pilot holes in the flyer base.
2. Squeeze and slide the stainless steel yarn guides onto the flyer arms.
3. Apply a drop of oil to the flyer shaft and slide the bobbin on. Ashford spinning wheel oil is ideal for this purpose.

4. Partially locate the whorl onto the flyer shaft and rotate the whorl until the flat on the flyer shaft aligns with the flat in the whorl. Then push the whorl on.
Caution: Do not twist the whorl, only slide the whorl on or off. If it is tight apply a drop of oil to the end of the flyer shaft. To change the bobbin, grip the whorl with one hand and the flyer with the other and pull the whorl directly off.
5. Locate the flyer between the flyer bearings, fit the drive and/or brake bands and apply a drop of oil to the flyer bearings.
6. Attach the threading hook to your spinning wheel with the cotton tape.
7. Tie a leader yarn approx. 1.5m/5' to the bobbin centre and feed it through the yarn guide, around the flyer hook and through the orifice.
8. As your bobbin fills, squeeze and slide the yarn guide to fill your bobbin evenly.

Happy Spinning!

SHFDD20622V8